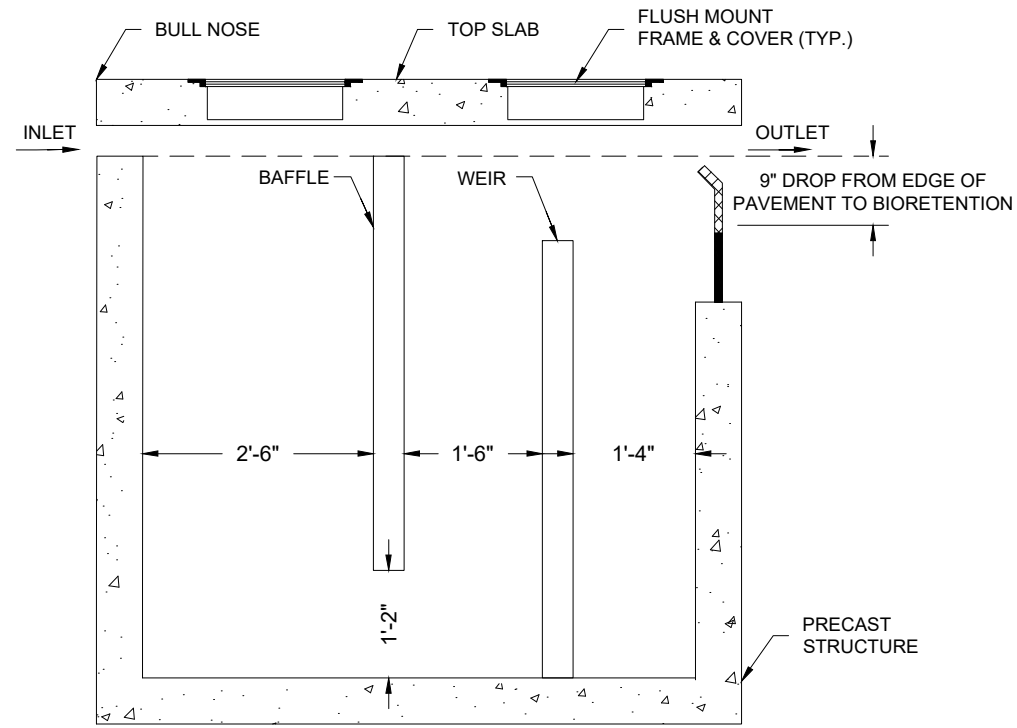
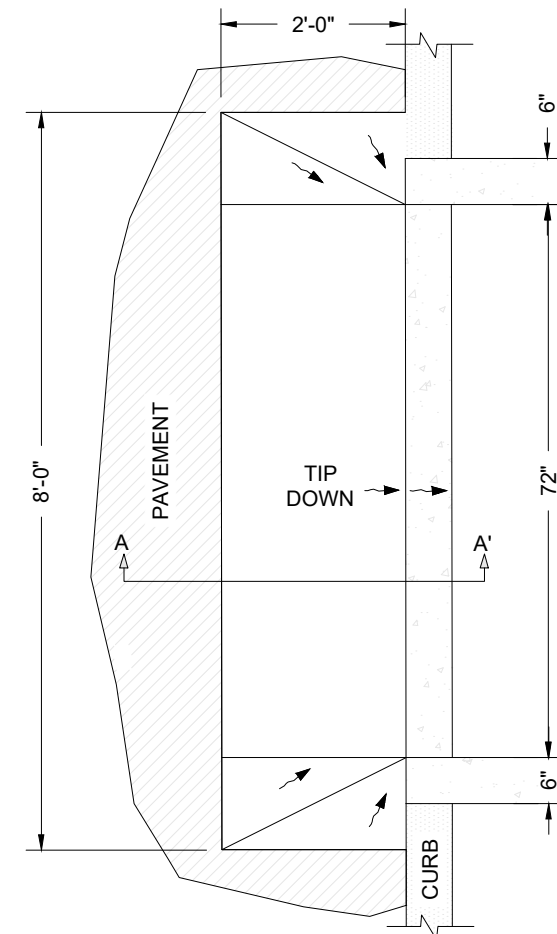


PLAN VIEW

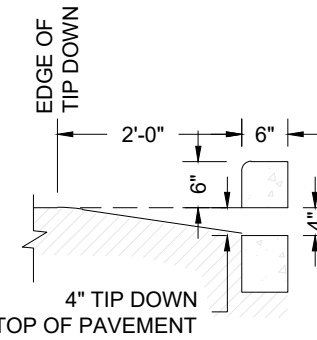


ELEVATION VIEW

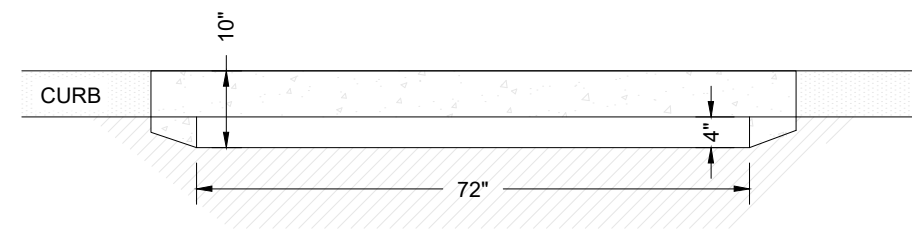
PRETX 72X72 UNIT DETAIL



PLAN VIEW

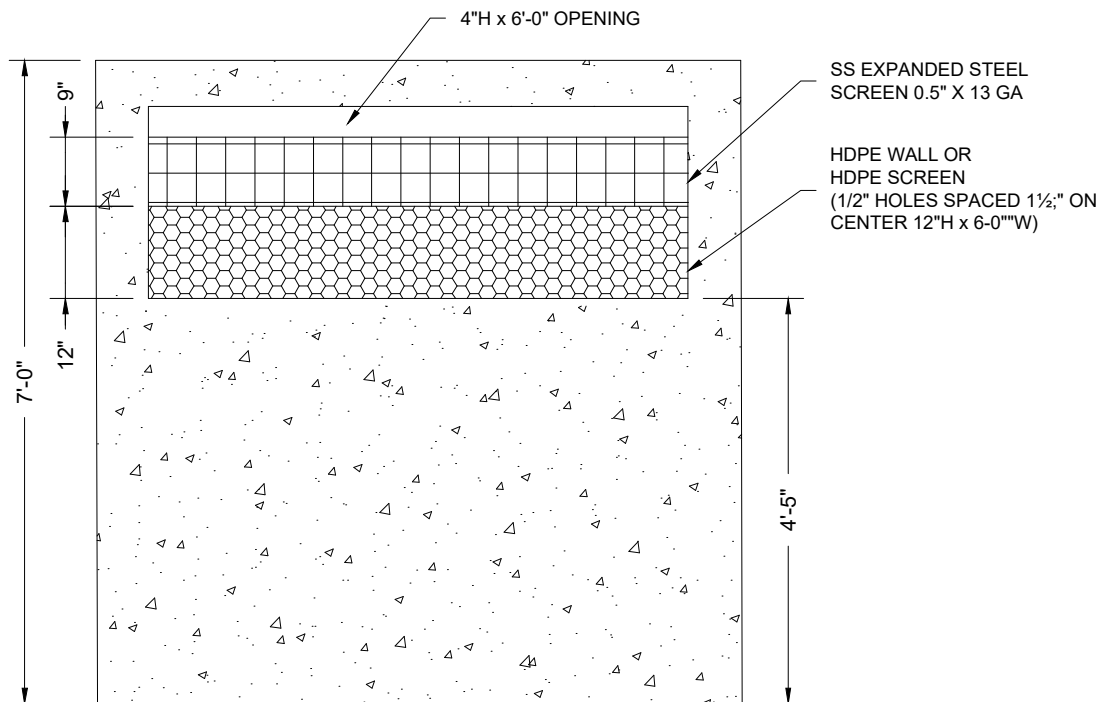


SECTION A-A



CURB FACE

PRETX 6" CURB REVEAL DETAIL



BACK VIEW

ENGINEER OF RECORD
TO REVIEW, APPROVE
AND ENDORSE FINAL
SITE SPECIFIC DESIGN.
U.S. PATENT NO(S):
10,704,246B2



PRETX - CURB INLET (72 x 72 UNIT)
PRETREATMENT CHAMBER
TYPICAL DETAIL

DRAWN BY

BMK

DATE

5/11/2026

SHEET NO.